

# CLEAN AGENT - FLUOROKETONE BASED FIRE EXTINGUISHERS

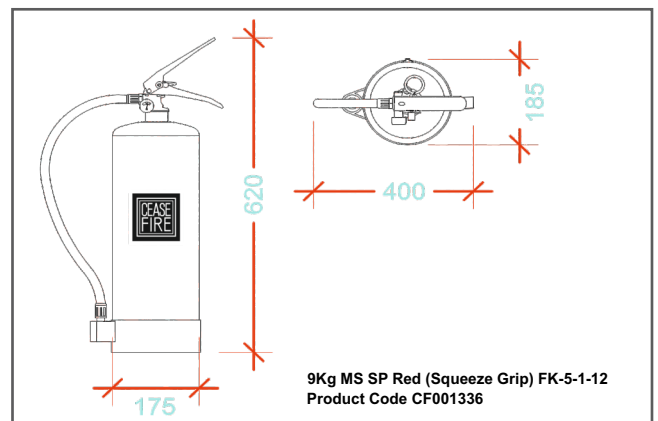
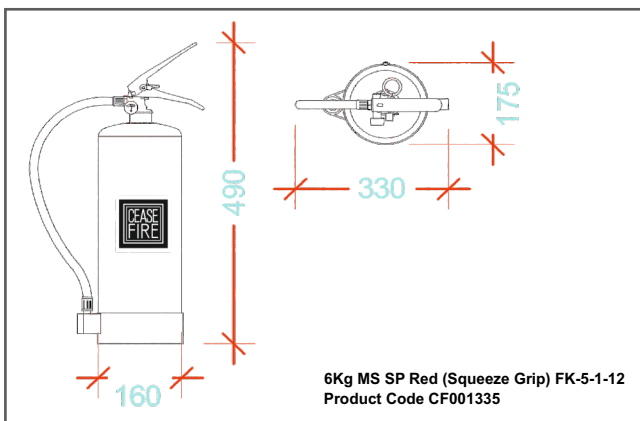
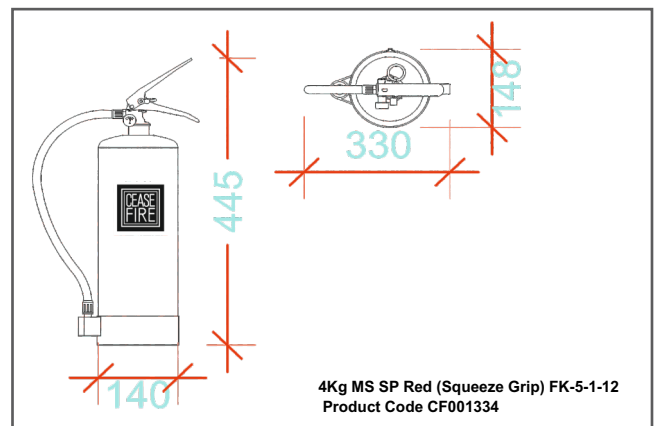
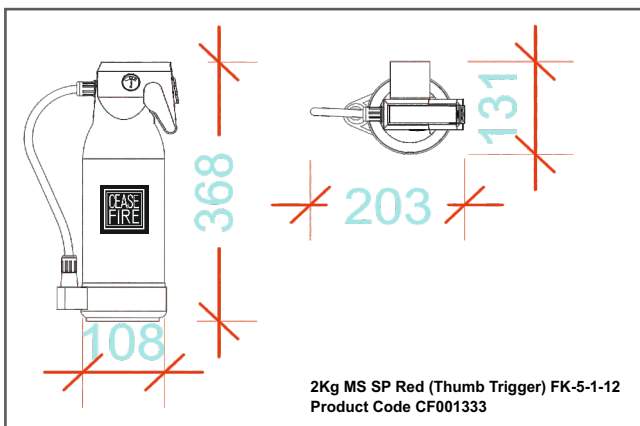
Not part of the F-Gas Regulations

## PRODUCT OVERVIEW

Ceasefire's Clean Agent extinguishers contain Fluoroketone (FK), the cleanest, most powerful extinguishing agent on the planet. The Fluoroketone (FK) Clean Agent Extinguishers come with an additional benefit of being the world's most advanced, and by far the most eco-friendly extinguisher. These extinguishers are packed with power and leave no residue behind and are absolutely safe for use on any sensitive electronic equipment. They have zero ODP (Ozone Depletion Potential) and are the obvious choice of concerned corporates worldwide. They are extremely lightweight, yet packed with tremendous power and throw, to penetrate past even the finest grills and meshes



## ENGINEERING DRAWINGS





TECHNICAL SPECIFICATIONS

Product Code	UOM	CF-001333	CF-001334	CF-001335	CF-001336
Description	—	Fire Ext (FK-5-1-12) 2Kg MS SP Red	Fire Ext (FK-5-1-12) 4Kg MS SP Red	Fire Ext (FK-5-1-12) 6Kg MS SP Red	Fire Ext (FK-5-1-12) 9Kg MS SP Red
Capacity of Agent	KG	2-5%	4-5%	6-5%	9-5%
Certification	—	PED	PED	PED	PED
Diameter of Shell	MM	108	140	160	175
Total Height (approx.)	MM	345	440	485	615
MOC of Shell	—	Steel CR2 (DC01)	Steel CR2 (DC01)	Steel CR2 (DC01)	Steel CR2 (DC01)
Min. Wall Thickness	MM	1.6	1.6	1.6	2
Test Pressure	BAR	35	35	35	35
Anti-Corrosive Treatment	—	Outer surfaces were EP Powder coated having Thickness 50 Micron Min. RAL Shade	Outer surfaces were EP Powder coated having Thickness 50 Micron Min. RAL Shade	Outer surfaces were EP Powder coated having Thickness 50 Micron Min. RAL Shade	Outer surfaces were EP Powder coated having Thickness 50 Micron Min. RAL Shade
Service Pressure	BAR	10	10	10	10
Type of Operating Mechanism	—	Thumb Trigger	Squeeze Grip with NRV and Burst Disc.	Squeeze Grip with NRV and Burst Disc.	Squeeze Grip with NRV and Burst Disc.
Type of Pressure Gauge	—	Magnetic Bourdon Tube Type	Magnetic Bourdon Tube Type	Magnetic Bourdon Tube Type	Magnetic Bourdon Tube Type
Type of Dis. Fitting & Length	MM	EPDM Rubber Braided Hose Pipe with nozzle Length of Hose 300 mm	EPDM Rubber Braided Hose Pipe with nozzle Length of Hose 400 mm (Min.)	EPDM Rubber Braided Hose Pipe with nozzle Length of Hose 400 mm (Min.)	EPDM Rubber Braided Hose Pipe with nozzle Length of Hose 650 mm (Min.)
Throw	Meter	3	4	4	4



Product Code	UOM	CF-001333	CF-001334	CF-001335	CF-001336
Min. Discharge Time	SEC.	6	6	6	9
Fire Rating	—	21B	34B	34B	55B
Operating Temperature Range	°C	From -30°C to +60°C	From -30°C to +60°C	From -30°C to +60°C	From -30°C to +60°C
Applicable to Type of Fire	—	B & Electrical Started Fire	B & Electrical Started Fire	B & Electrical Started Fire	B & Electrical Started Fire
Filled Weight Range*	KG	3.54 to 3.66	6.50 to 6.86	8.76 to 9.36	Approx. 14.70
Packed Weight Range (approx)**	KG	4.2	7.35	10.1	15.53
Packed Size Length x Width x Height	MM	130 x 140 x 415	160 x 160 x 470	175 x 175 x 715	190 x 195 x 650
Product Warranty	YEAR	5	5	5	5

\*It includes Empty Extinguisher, Contents, Plastic Base, Hose / Horn and bracket.

\*\*It includes Empty Extinguisher, Packaging, Contents, Plastic Base, Hose / Horn and bracket.

## CERTIFICATIONS



**PRODUCT PICTURES**



2kg

4kg

6kg

9kg

\*v1' Published Date is 31-07-2022.

\*\*Regular R&D and product improvisations may lead to change in product specifications in this data sheet, without any prior notice.