

EVOLVED TO SAFEGUARD



BUILT TO ADAPT



CEASEFIRE'S AUTOMATIC EXTINGUISHERS AND SYSTEMS



ONE RANGE. INFINITE POSSIBILITIES.

Introducing the Ceasefire Automatic Firefighting Range, a culmination of ongoing innovation and valuable market insights, crafted to tackle the challenges of modern firefighting. Our solutions are tailored to safeguard contemporary spaces and feature a diverse array of standalone, and retrofittable units. These units can also be seamlessly integrated into a smart suppression system for enhanced safety.

No matter the type of premises, the fire risks present, or the scale of your operations, Ceasefire's Automatic Range has the perfect fire safety solution to meet your needs. Your safety is our priority, and we're here to ensure you're protected.



CONTENTS

Atom X - M Series - Automatic Fire Extinguishers

Automatic Ceiling Mounted Extinguishers 03
Automatic Wall Mounted Extinguishers 06



Atom X Pro - Advanced Fire Suppression System 10



Technical Specifications 16

CEASEFIRE ATOM X - M Series

AUTOMATIC FIRE EXTINGUISHERS

The Ceasefire Atom X - M Series Automatic range comprises Ceiling-mounted and Wall-mounted units. These solutions are carefully designed to solve unique fire safety problems in a wide variety of premises.

Automatic Ceiling Mounted Extinguishers

Ceasefire Ceiling Mounted Automatic Extinguishers are self-contained units with thermal sensors that detect the rise in the temperature of the area and activate automatically, even when there is no one present, ensuring that the fire is brought under control early and efficiently.

A key benefit of these units is that they not only bring automated protection for places with low human traffic, but being ceiling mounted they also save productive floor space of any premises in a big way.



Available in Clean agent (Fluoroketone (FK-5-1-12), and ABC Dry powder MAP90.

Monitorable Option

What's more, these Atom X - M Series automatic extinguishers come equipped with a pressure monitoring port and by opting for a Pressure Switch these can be made monitorable by integrating it with third party devices such as BMS, Fire alarm systems, or Stand alone Sirens or Strobes.



Comes In Two Powerful Agents

The Atom X - M Series Automatic Fire Extinguishers - Ceiling Mounted is available in two-agent options namely: Clean Fluoroketone (FK) Gas and ABC Powder. Availability of the extinguisher in these two agent options makes it ideal for a wide range of applications.



SIZES AVAILABLE:

Fluoroketone (FK)	2 KG	5 KG	10 KG	15 KG
ABC Powder MAP90	2 KG	5 KG	10 KG	15 KG



Features & Benefits Of Ceiling Mounted



Automatic actuation

Detects fire through thermal sensor and activates automatically.



Easy To Install

Retrofittable and can be installed with least amount of structural changes in a premises.



Highly Cost Effective

Does not require extensive fitments it works out to be price competitive.



Monitorable Option

These automatic extinguishers can be upgraded to become monitorable by opting for a pressure switch and integrating it with third-party devices.



Extinguishing Agents

Available in ABC Powder and Clean extinguishing agent Fluoroketone.



Tamper Proof Design

Being ceiling mounted the extinguisher is tamper proof.



Requires Minimal Fittings

Does not require an extensive network of pipes, fittings and ducts for installation.



Saves Space

Agent cylinders are ceiling mounted units that do not require any floor space.



Container Sizes

These ceiling mounted units are available in 2kg, 5kg, 10kg and 15kg variants to suit diverse kinds of premises.



Certification

BSI tested, PED and UKCA-PED approved.

Automatic Wall Mounted Extinguishers

Ceasefire Wall-mounted Automatic Extinguishers are fully automatic extinguishers capable of providing targeted protection. They come equipped with a smart thermal-actuated, automatic discharge mechanism that makes it fully independent of any human intervention to fight fires.

This innovative extinguisher functions as a standalone system. With simple wall-mount brackets, installation is quick and seamless. The telescopic arm (optional) further ensures precise coverage of hard-to-reach fire risk zones, offering an ideal solution for challenging installations while saving valuable floor space.



Available in Clean agent Fluoroketone (FK-5-1-12) and ABC Dry powder MAP50.

Monitorable Option

These Atom X - M Series wall-mounted automatic extinguishers come equipped with a pressure monitoring port and by opting for a Pressure Switch these can be made monitorable by integrating it with third party devices such as BMS, Fire alarm systems, or Stand alone Sirens or Strobes.



Comes In Two Powerful Agents

The Atom X - M Series Automatic Fire Extinguishers - Wall Mounted is available in two-agent options namely: Clean Fluoroketone (FK) Gas and ABC Powder. Availability of the extinguisher in these two agent options makes it ideal for a wide range of applications.



SIZES AVAILABLE:

Fluoroketone (FK)	1 KG	2 KG	4 KG	6 KG	9 KG
ABC Powder MAP50	1 KG	2 KG	4 KG	6 KG	9 KG



Features & Benefits Of Wall Mounted



Easy To Install

Retrofittable system and can be installed with least amount of structural changes in a premises.



Automatic Actuation

Detects fire through thermal sensor and activates automatically.



Targeted Protection

Option flexible mounting bracket that enables optimal positioning of the extinguisher in the risk zone proving targeted protection.



Secure Mounting Bracket

Comes with a secure mounting bracket for direct installation on the wall.



Certification

PED and UKCA-PED approved.



Saves Space

Agent cylinders are wall mounted units that do not require any floor space.



Extinguishing Agents

Available in ABC Powder and Clean agent Fluoroketone.



Container Sizes

These wall mounted units are available in 1kg, 2kg, 4kg, 6kg and 9kg variants to suit diverse kinds of premises and applications.



Monitorable Option

These automatic extinguishers can be upgraded to become monitorable by opting for a pressure switch and integrating it with third-party devices.

SOUNDER BEACON (OPTIONAL)

Unwavering Vigilance, Seamless Integration

Ceasefire's Sounder Beacon (optional) is a vital addition to our suite of fire safety solutions, engineered for effortless integration with all pressure switch-compatible solutions such as wall-mounted and ceiling-mounted fire extinguishers. Built to respond instantly in emergencies, this high-performance device combines a brilliant strobe light with a powerful audible alarm to deliver clear, unmistakable alerts in the event of a fire, ensuring your premises stay protected at all times.



Technical Specifications:

- 9V PP3 Battery powdered.
- 110DB Standalone combined Sounder Beacon, Red LED.
- 1x Input for Normally Closed Pressure Switch (open contacts while installed on product).
- External Push To Test (PTT) Momantary Switch Button.
- Security Cover over PTT Switch.
- Standby time 24 Months.
- Constant Run time 48 Hours.
- Red ABS Plastic Body Construction.
- IP55 Water Ingress Rated.
- Weight 750g.
- Length 290mm.
- Width 165mm.
- Depth 110mm.
- Battery Included.

CEASEFIRE ATOM X PRO

The Advanced Fire Suppression System

Ceasefire Atom X Pro is the next generation fire suppression technology which has evolved to smartly integrate standalone Ceiling mounted and Wall mounted fire extinguishing units with an Intelligent detection module to form a formidable fire protection system.

Ceasefire Atom X Pro doesn't demand any structural change neither consumes the floor space nor leads to downtime, as this innovative system is mounted on the ceiling or wall of the space. The system comes equipped with a smart intelligent detection module, consisting of an array of detection devices and a control panel, based on cross zoning, it minimises the possibility of false activation and safeguards the premises.



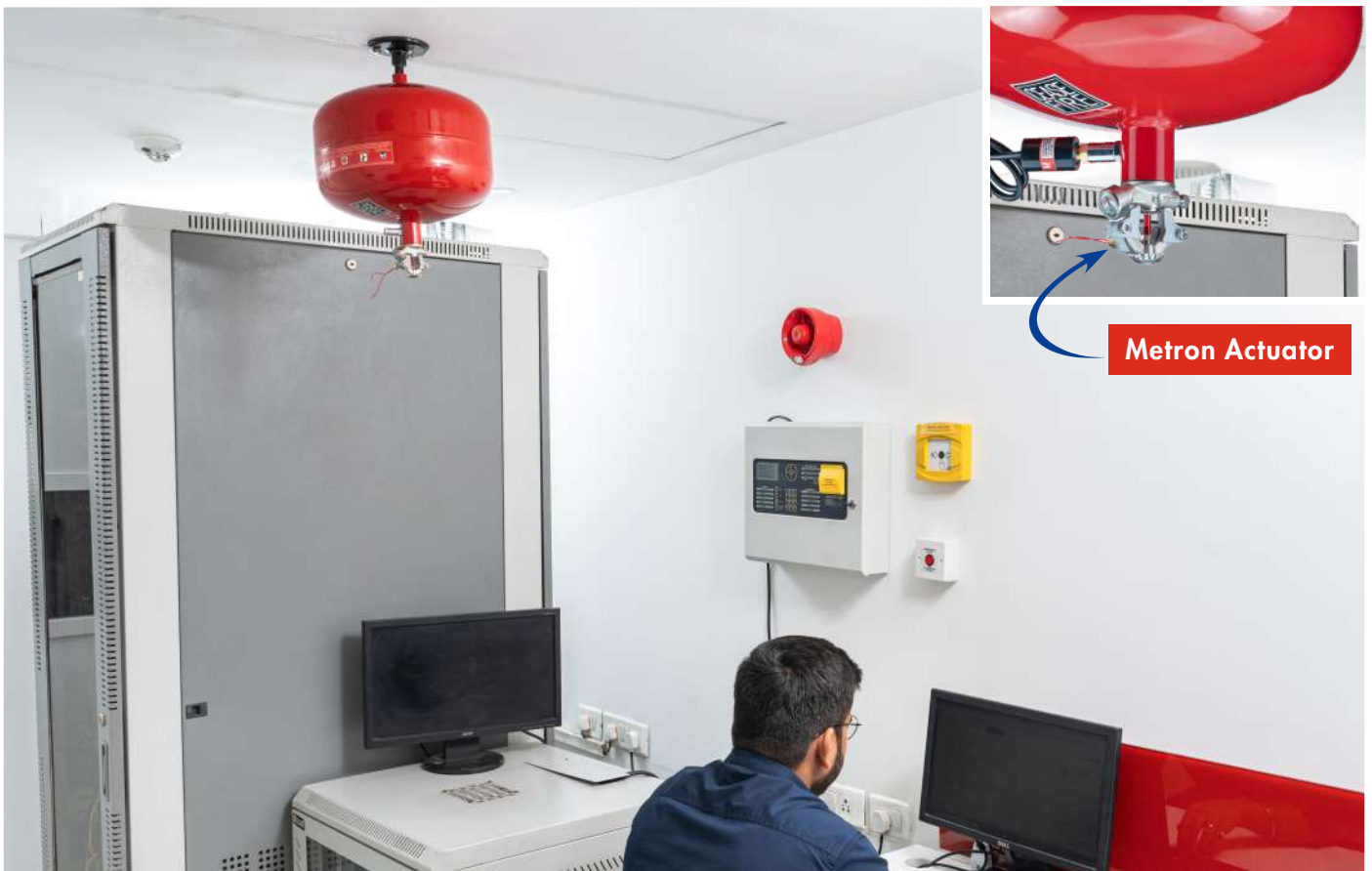
Available in Clean agent (Fluoroketone (FK-5-1-12), ABC Powder MAP90 and ABC Powder MAP50.

The biggest feature of the system is not only that it is retrofittable but it is absolutely tailor-made for the environment it is installed in. The kind of extinguishing units deployed (wall mounted or ceiling mounted) and the detection module configured (types of sensors chosen) purely depends on the unique risks a premises is faced with.

How The System Works

The flagship feature of the Atom X Pro is its intelligent fire detection and actuation module. The detection module of the system can be configured using a wide variety of detectors such as smoke detectors, beam detectors, heat detectors, or others depending upon the need of the premises and all interact with a central control panel.

The system acts on the principle of cross-zoning. Only when two or more detectors from two separate zones confirm the fire episode to the control panel, the panel sends an activation signal to the system. The activation signal is sent to the Metron Actuator in the form of an electrical impulse. On receiving this electrical impulse a metal pin is fired inside the actuator that breaks the glass vial placed at the discharge point of Advanced Fire Suppression units, triggering the discharge of the agent. What makes Atom X Pro truly versatile is that all fire suppression system units are triggered simultaneously to achieve total flooding results.



Monitorable Option

What makes the system truly versatile is that each of the extinguishing units deployed in the network are monitorable in nature with the presence of a Pressure Switch present in each unit. This adds a huge advantage for the user to do preventive maintenance of the system and knowing the readiness of each unit installed in the system individually via Control Panel.



Comes In Two Powerful Agents

Atom X Pro is available in two-agent options namely: Clean Agent Fluoroketone (FK) and ABC Powder. Availability of the extinguisher in these two agent options makes it ideal for a wide range of applications.



SIZES AVAILABLE - CEILING MOUNTED

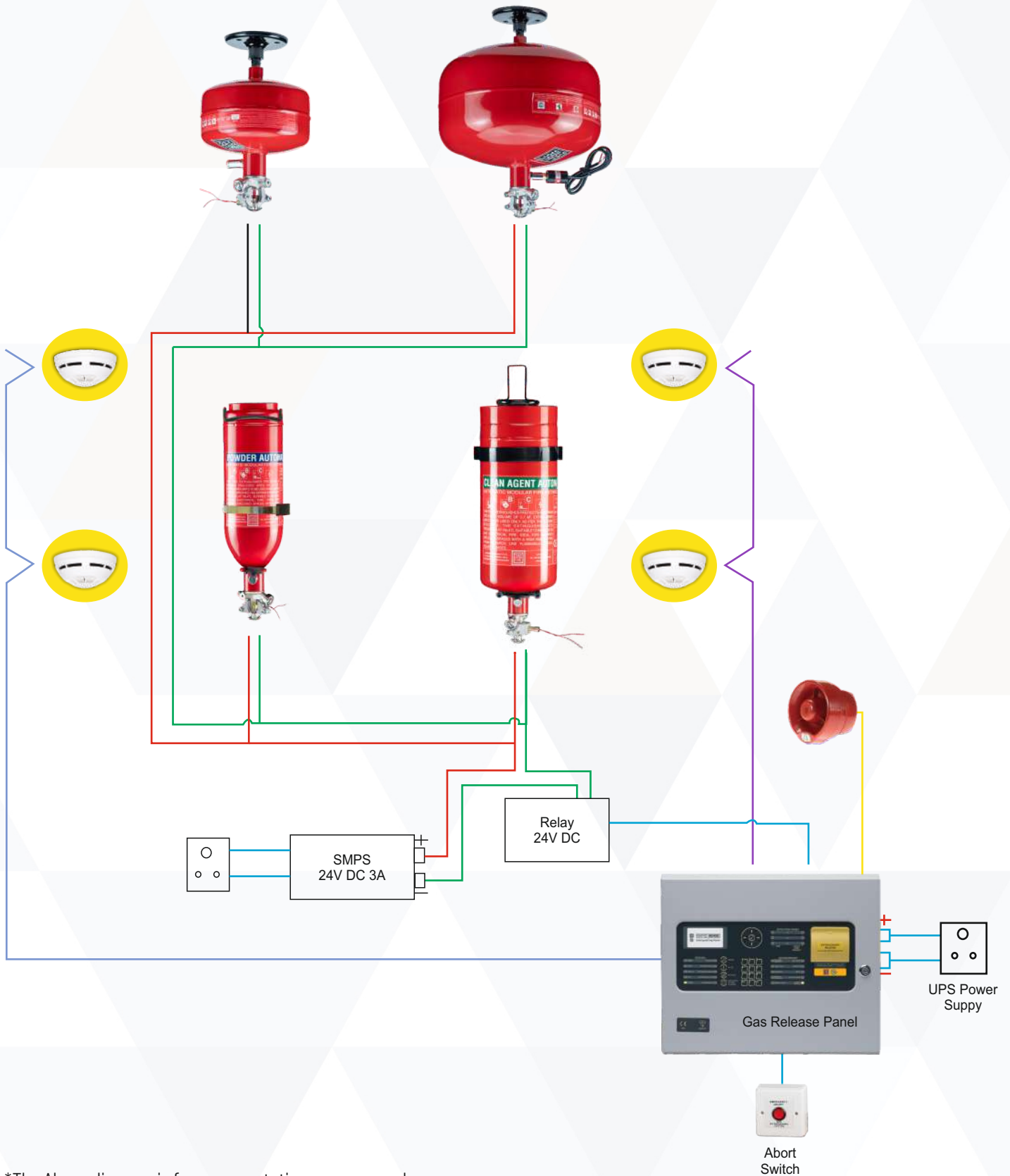
Fluoroketone (FK)	2 KG	5 KG	10 KG	15 KG
ABC Powder MAP90	2 KG	5 KG	10 KG	15 KG



SIZES AVAILABLE - WALL MOUNTED

Fluoroketone (FK)	1 KG	2 KG	4 KG	6 KG	9 KG
ABC Powder MAP50	1 KG	2 KG	4 KG	6 KG	9 KG

Typical Schematic Diagram



*The Above diagram is for representation purposes only.



Features & Benefits Of Ceasefire Atom X Pro



Classification

Effective against all classes of fire.



Agent Options

Available in Clean agent (Fluoroketone (FK), ABC Dry Powder MAP90 and ABC Dry Powder MAP50 .



Scalable Protection

The system is designed to be scalable in nature, where you can add wall mounted or ceiling mounted units to the existing network of extinguishing units to expand the protection area in order to meet your growing needs.



Cost Effective Solution

Since the system does not require so many fittings, fixtures and plumbing, it works out to be highly cost effective.



Easy To Install

The system is a retrofittable one and hence can be installed in a running and functional premises without hindering the daily business operations of the place. This is because minimal structural changes are required to be done in the premises to install the system.



Certification

BSI tested, PED and UKCA-PED approved.



Monitorable System

Each of the extinguishing units (wall mounted or ceiling mounted) are monitorable in nature via the Control Panel with the presence of a pressure switch.



Intelligent Detection

The detection module of the system can include devices that are most suitable to address the risks present at the premises.



Container Sizes

The system includes ceiling mounted extinguishing units in 2kg, 5kg, 10 kg and 15 kg and wall mounted extinguishing units in 1kg, 2kg, 4kg, 6kg and 9kg variants to suit diverse kinds of premises and applications.



Consumes Minimal Productive Space

The system being ceiling / wall mounted consumes no floor space. Big boon for business premises where productive floor space is not consumed by the system's agent containers.

System Components

Ceiling Mounted Units

Ceiling mounted agent container units that saves productive floor space and activate together to create total flooding results.



Wall Mounted Units

Wall mounted agent container units are included in the system where ceiling space is not available or accessible and targeted protection is required.

Detection Sensors

The system has a wide-ranging line-up of detection devices such as smoke detectors, heat detectors, flame detectors, and beam detectors. A mix of these devices may be used in the system based on the fire hazard of the premises.



Control Panel

The control panel receives signal from the detectors and actuates the system while also monitoring the system readiness via pressure switch.

Metron Actuator (UL Listed)

It is an integral device of the system that receives an electrical impulse from the panel and fires a metal pin inside the actuator that breaks the glass vial placed at the discharge point of Atom X units.

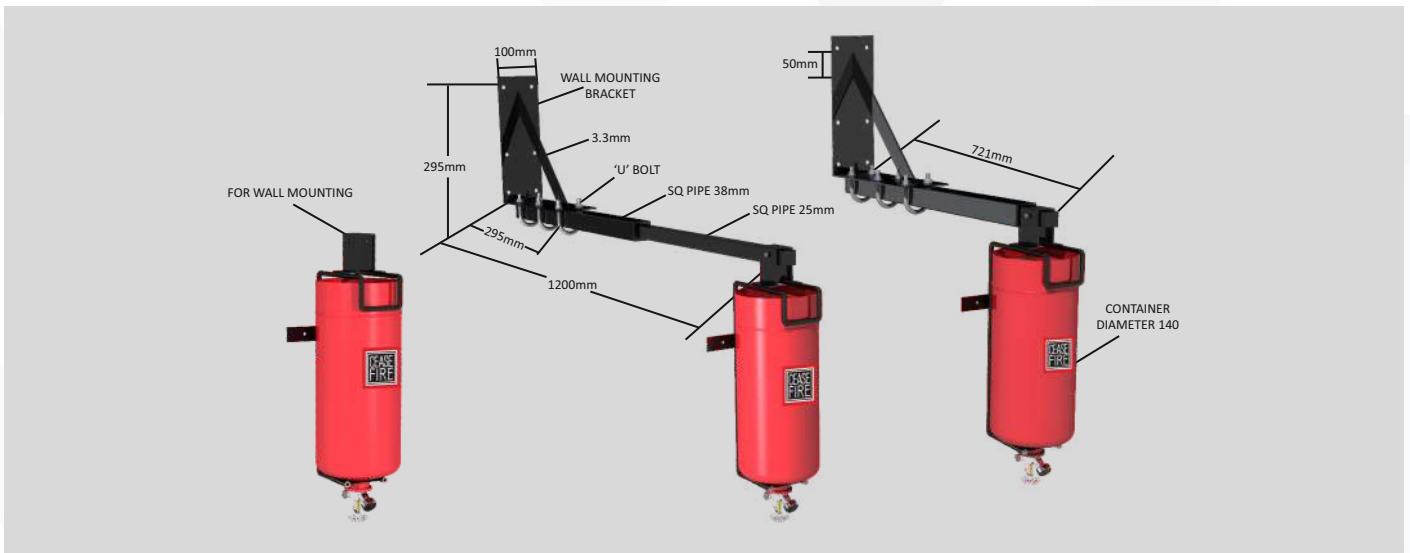


Pressure Switch (UL Listed)

The presence of pressure switch marks the extinguishing units monitorable in nature so the user can always check the system's readiness. The device's role is to convert a mechanical action into a switching effect that completes the circuit to send a signal to activate the third party devices such as fire alarm systems, sounder beacons or building management systems.

Telescopic Arm (Optional)

The telescopic arm ensures precise coverage of hard-to-reach fire risk zones, where protecting specific assets is the priority.



TECHNICAL SPECIFICATIONS

WALL MOUNTED - ABC POWDER MAP50

Nomenclature	Automatic Fire Ext Wall Mounted MAP50 1kg MS SP Red	Automatic Fire Ext Wall Mounted MAP50 2kg MS SP Red	Automatic Fire Ext Wall Mounted MAP50 4kg MS SP Red	Automatic Fire Ext Wall Mounted MAP50 6kg MS SP Red	Automatic Fire Ext Wall Mounted MAP50 9kg MS SP Red
Stored Pressure / Cartridge	Stored Pressure	Stored Pressure	Stored Pressure	Stored Pressure	Stored Pressure
Agent	ABC Powder MAP50	ABC Powder MAP50	ABC Powder MAP50	ABC Powder MAP50	ABC Powder MAP50
Product Code	CF-001401	CF-001402	CF-001403	CF-001404	CF-001405
Certification Standards	PED	PED	PED	PED	PED
CE	Yes	Yes	Yes	Yes	Yes
UKCA-PED	Yes	Yes	Yes	Yes	Yes
Gross Weight (approx.)	1.90 Kg	4.05 Kg	7.15 Kg	9.50 Kg	13.95 Kg
Net Contents (approx.)	1 Kg	2 Kg	4 Kg	6 Kg	9 Kg
Approx. Height Of Fire Ext.	370 mm	442 mm	493 mm	538 mm	668 mm
Type of Operating Mechanism	Automatic Thermal Quarzoid Bulb / Elect(metron)	Automatic Thermal Quarzoid Bulb / Elect(metron)	Automatic Thermal Quarzoid Bulb / Elect(metron)	Automatic Thermal Quarzoid Bulb / Elect(metron)	Automatic Thermal Quarzoid Bulb / Elect(metron)
Min. Discharge Time	1 sec	1.2 sec	2.5 sec	3.5 sec	5 sec
Maximum Spacing Allowed	1.2 m	1.4 m	3 m	4 m	5 m
Effective Coverage Area	1.5 m ²	3 m ²	9 m ²	12 m ²	20 m ²
Maximum Ceiling Height	0.8 m	1.4 m	2.5 m	3 m	3.5 m
Actuation Temperature	68°C ± 4°C	68°C ± 4°C	68°C ± 4°C	68°C ± 4°C	68°C ± 4°C
Type of Discharge Fitting	Sprinkler With Quartzoid Bulbhead	Sprinkler With Quartzoid Bulbhead	Sprinkler With Quartzoid Bulbhead	Sprinkler With Quartzoid Bulbhead	Sprinkler With Quartzoid Bulbhead
Warranty In Years*	5	5	5	5	5
Working Pressure	15 Bar	15 Bar	15 Bar	15 Bar	15 Bar
Dia. Of Shell (OD)	86 mm	108 mm	140 mm	160 mm	175 mm
Operating Temperature	-30°C to 60°C	-30°C to 60°C	-30°C to 60°C	-30°C to 60°C	-30°C to 60°C
Hydrostatic Test Pressure	30 Bar	30 Bar	30 Bar	30 Bar	30 Bar
Body Thickness	1.4 mm	1.4 mm	1.2 mm	1.4 mm	1.4 mm

*Product warranty should differ for Atom X - M Series and Atom X Pro versions as per the respective product specifications.

WALL MOUNTED - FLUOROKETONE (FK-5-1-12)

Nomenclature	Automatic Fire Ext Wall Mounted FK-5-1-12 1kg MS SP Red	Automatic Fire Ext Wall Mounted FK-5-1-12 2kg MS SP Red	Automatic Fire Ext Wall Mounted FK-5-1-12 4kg MS SP Red	Automatic Fire Ext Wall Mounted FK-5-1-12 6kg MS SP Red	Automatic Fire Ext Wall Mounted FK-5-1-12 9kg MS SP Red
Stored Pressure / Cartridge	Stored Pressure	Stored Pressure	Stored Pressure	Stored Pressure	Stored Pressure
Agent	FK-5-1-12	FK-5-1-12	FK-5-1-12	FK-5-1-12	FK-5-1-12
Product Code	CF-001411	CF-001413	CF-001415	CF-001416	CF-001417
Certification Standards	PED	PED	PED	PED	PED
CE	Yes	Yes	Yes	Yes	Yes
UKCA-PED	Yes	Yes	Yes	Yes	Yes
Gross Weight (approx.)	1.85 Kg	3.35 Kg	6.05 Kg	8.75 Kg	12.95 Kg
Net Contents (approx.)	1 Kg	2 Kg	4 Kg	6 Kg	9 Kg
Approx. Height Of Fire Ext.	370 mm	442 mm	493 mm	538 mm	668 mm
Type of Operating Mechanism	Automatic Thermal Quarzoid Bulb / Elect(metron)	Automatic Thermal Quarzoid Bulb / Elect(metron)	Automatic Thermal Quarzoid Bulb / Elect(metron)	Automatic Thermal Quarzoid Bulb / Elect(metron)	Automatic Thermal Quarzoid Bulb / Elect(metron)
Min. Discharge Time	0.5 sec	1 sec	2 sec	3 sec	4 sec
Min. Single Volume Coverage	0.79 m ³	1.58 m ³	3.16 m ³	4.74 m ³	7.11 m ³
Max. Single Volume Coverage	1.4 m ³	2.8 m ³	5.7 m ³	8.5 m ³	12.8 m ³
Concentration At Max. Volume	4.5 v/kg %	4.5 v/kg %	4.5 v/kg %	4.5 v/kg %	4.5 v/kg %
Actuation Temperature	68°C ± 4°C	68°C ± 4°C	68°C ± 4°C	68°C ± 4°C	68°C ± 4°C
Type of Discharge Fitting	Sprinkler With Quartzoid Bulbhead	Sprinkler With Quartzoid Bulbhead	Sprinkler With Quartzoid Bulbhead	Sprinkler With Quartzoid Bulbhead	Sprinkler With Quartzoid Bulbhead
Warranty In Years*	5	5	5	5	5
Working Pressure	10 Bar	10 Bar	10 Bar	10 Bar	10 Bar
Dia. Of Shell (OD)	86 mm	108 mm	140 mm	160 mm	175 mm
Operating Temperature	-30°C to 60°C	-30°C to 60°C	-30°C to 60°C	-30°C to 60°C	-30°C to 60°C
Hydrostatic Test Pressure	30 Bar	30 Bar	30 Bar	30 Bar	30 Bar
Body Thickness	1.4 mm	1.4 mm	1.2 mm	1.4 mm	1.4 mm

*Product warranty should differ for Atom X - M Series and Atom X Pro versions as per the respective product specifications.

CEILING MOUNTED - ABC POWDER MAP90

Nomenclature	Automatic Fire Ext Ceiling Mounted MAP90 2kg MS SP Red	Automatic Fire Ext Ceiling Mounted MAP90 5kg MS SP Red	Automatic Fire Ext Ceiling Mounted MAP90 10kg MS SP Red	Automatic Fire Ext Ceiling Mounted MAP90 15kg MS SP Red
Stored Pressure / Cartridge	Stored Pressure	Stored Pressure	Stored Pressure	Stored Pressure
Agent	ABC Powder MAP90	ABC Powder MAP90	ABC Powder MAP90	ABC Powder MAP90
Product Code	CF-001388	CF-000017	CF-000018	CF-001490
Certification Standards	PED, BSI TESTED	PED, BSI TESTED	PED, BSI TESTED	PED, BSI TESTED
CE	Yes	Yes	Yes	Yes
UKCA-PED	Yes	Yes	Yes	Yes
Gross Weight (approx.)	3.97 Kg	8.87 Kg	15.95 Kg	20.70 Kg
Net Contents (approx.)	2 Kg	5 Kg	10 Kg	15 Kg
Approx. Height Of Fire Ext.	287 mm	367 mm	389 mm	469 mm
Type of Operating Mechanism	Automatic Thermal Quarzoid Bulb / Elect(metron)	Automatic Thermal Quarzoid Bulb / Elect(metron)	Automatic Thermal Quarzoid Bulb / Elect(metron)	Automatic Thermal Quarzoid Bulb / Elect(metron)
Min. Discharge Time	2 to 5 sec	4 to 8 sec	6 to 10 sec	12 to 18 sec
Maximum Spacing Allowed	2.3 m	2.8 m	5.5 m	6.5 m
Effective Coverage Area	5 m ²	12.5 m ²	25 m ²	37.5 m ²
Maximum Ceiling Height	1.5 m	3 m	3.5 m	4 m
Actuation Temperature	68°C ± 4°C	68°C ± 4°C	68°C ± 4°C	68°C ± 4°C
Type of Discharge Fitting	Sprinkler With Quartzoid Bulbhead	Sprinkler With Quartzoid Bulbhead	Sprinkler With Quartzoid Bulbhead	Sprinkler With Quartzoid Bulbhead
Warranty In Years*	5	5	5	5
Working Pressure	15 Bar	15 Bar	15 Bar	15 Bar
Dia. Of Shell (OD)	175 mm	240 mm	300 mm	300 mm
Operating Temperature	-30°C to 60°C	-30°C to 60°C	-30°C to 60°C	-30°C to 60°C
Hydrostatic Test Pressure	35 Bar	35 Bar	35 Bar	35 Bar
Body Thickness	2 mm	1.6 mm	2 mm	2 mm

*Product warranty should differ for Atom X - M Series and Atom X Pro versions as per the respective product specifications.

CEILING MOUNTED - FLUOROKETONE (FK-5-1-12)

Nomenclature	Automatic Fire Ext Ceiling Mounted (FK-5-1-12) 2kg MS SP Red	Automatic Fire Ext Ceiling Mounted (FK-5-1-12) 5kg MS SP Red	Automatic Fire Ext Ceiling Mounted (FK-5-1-12) 10kg MS SP Red	Automatic Fire Ext Ceiling Mounted (FK-5-1-12) 15kg MS SP Red
Stored Pressure / Cartridge	Stored Pressure	Stored Pressure	Stored Pressure	Stored Pressure
Agent	FK-5-1-12	FK-5-1-12	FK-5-1-12	FK-5-1-12
Product Code	CF-001393	CF-001337	CF-001338	CF-001493
Certification Standards	PED	PED	PED	PED
CE	Yes	Yes	Yes	Yes
UKCA-PED	Yes	Yes	Yes	Yes
Gross Weight (approx.)	4.00 Kg	7.50 Kg	14.35 Kg	18.60 Kg
Net Contents (approx.)	2 Kg	5 Kg	10 Kg	15 Kg
Approx. Height Of Fire Ext.	287 mm	367 mm	389 mm	469 mm
Type of Operating Mechanism	Automatic Thermal Quarzoid Bulb / Elect(metron)	Automatic Thermal Quarzoid Bulb / Elect(metron)	Automatic Thermal Quarzoid Bulb / Elect(metron)	Automatic Thermal Quarzoid Bulb / Elect(metron)
Min. Discharge Time	2 to 5 sec	4 to 8 sec	6 to 10 sec	6 to 15 sec
Min Single Volume Coverage	1.58 m ³	3.95 m ³	7.9 m ³	11.85 m ³
Max Single Volume Coverage	2.8 m ³	7.2 m ³	14.4 m ³	21.5 m ³
Concentration At Max Volume	4.5 v/kg %	4.5 v/kg %	4.5 v/kg %	4.5 v/kg %
Actuation Temperature	68°C ₋ + 4°C	68°C ₋ + 4°C	68°C ₋ + 4°C	68°C ₋ + 4°C
Type of Discharge Fitting	Sprinkler With Quartzoid Bulbhead	Sprinkler With Quartzoid Bulbhead	Sprinkler With Quartzoid Bulbhead	Sprinkler With Quartzoid Bulbhead
Warranty In Years*	5	5	5	5
Working Pressure	10 Bar	10 Bar	10 Bar	10 Bar
Dia. Of Shell (OD)	86 mm	108 mm	160 mm	160 mm
Operating Temperature	-30°C to 60°C	-30°C to 60°C	-30°C to 60°C	-30°C to 60°C
Hydrostatic Test Pressure	35 Bar	35 Bar	35 Bar	35 Bar
Body Thickness	2 mm	1.6 mm	2 mm	2 mm

*Product warranty should differ for Atom X - M Series and Atom X Pro versions as per the respective product specifications.

UL Listed

PRESSURE SWITCH

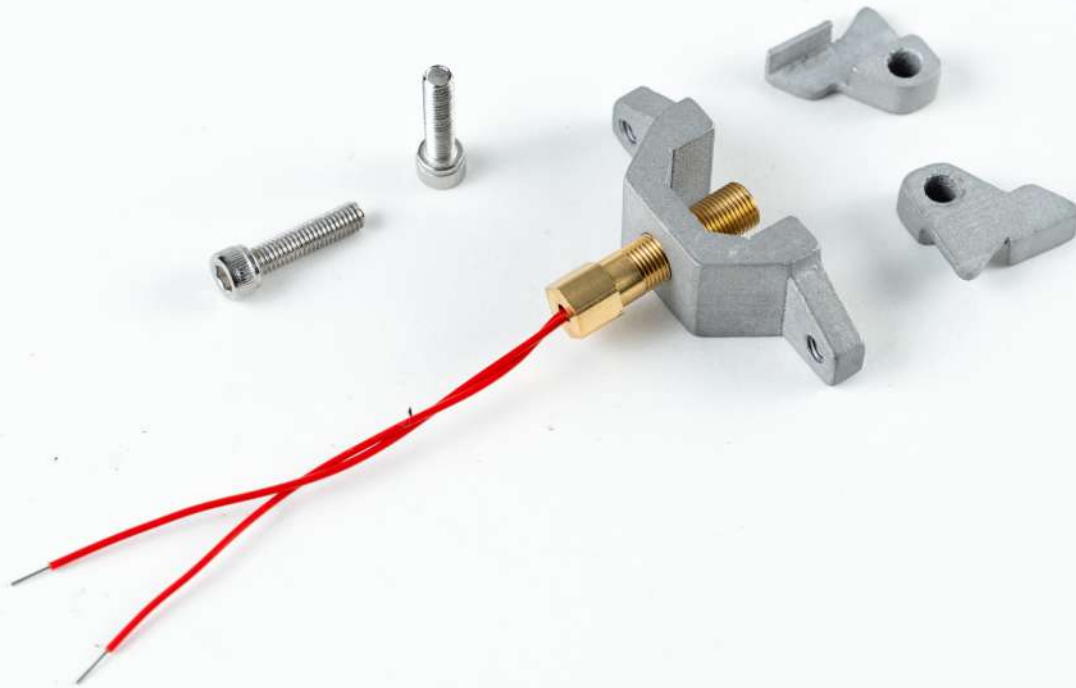


TECHNICAL SPECIFICATIONS

Product Code	SM-RM4307
Increasing Activation	130 PSIG ± 9 PSIG [9 BAR]
Decreasing Activation	72.5 PSIG ± 7 PSIG [5 BAR]
Max Pressure	290 PSIG
Connector	NONE.
Fitting	M10 WITH DEFLATOR.
Fitting Material	BRASS.
Body Material	PLASTIC
Electrical Rating	3A 240 VAC/28 VDC.
Wire Jacket/insulator Material	PVC
O-ring Provided With Switch	NBR-70 SHORE (7.8X1.9 mm)
Certification	UL, RoHS, CE

UL Listed

METRON ACTUATOR



TECHNICAL SPECIFICATIONS

Description	UOM	Technical Detail	
Product Code	-	SM-RM2431	
Minimum Piston Stroke Length (mm)	(mm)	9.5	
Body/Piston Material	-	Brass/Stainless Steel	
Minimum Work Output (Joules)	Joules	4.9	
Typical Peak Thrust (Newton's)	Newton's	1800	
Service Life (Ambient) (Years)	-Years	10	
Operating Temperature (OC)	OC)	-40 to +70	
Electrical Resistance Range (Ohms)	Ohms	0.9 - 1.6	
Maximum No Fire Current (Amps)	30 sec pulse	Amps	0.15
	0.05 sec pulse		0.3
Minimum Single Fire Current (Amps)	DC	Amps	0.6
	0.01 sec pulse		0.9
Recommended Series Firing Current (Amps)	Amps	3	
Maximum distance of Metron head from the QBD	mm	7	
Merton Threads on body	-	M 8 X 0.75	

MOUNTING BRACKET

A unique feature, exclusively available for the 1 and 2 kg units, is Ceasefire's specially designed Mounting Brackets. These brackets ensure Wall Mounting Units are securely fixed on various surfaces across different application areas, eliminating vibrations and keeping the units absolutely silent onboard.





Ceasefire Industries UK Limited

Registered Office: Halfords Lane, Smethwick, Birmingham,
B66 1BU

Tel: 0-113-868-6666 / 0-126-891-9999



Scan the QR code
to visit our website

Website : www.ceasefire.co.uk

Follow us on:



Please check the product specifications at the time of placing your order. Specifications can change without notice due to our continuous R&D and product improvisation initiatives.